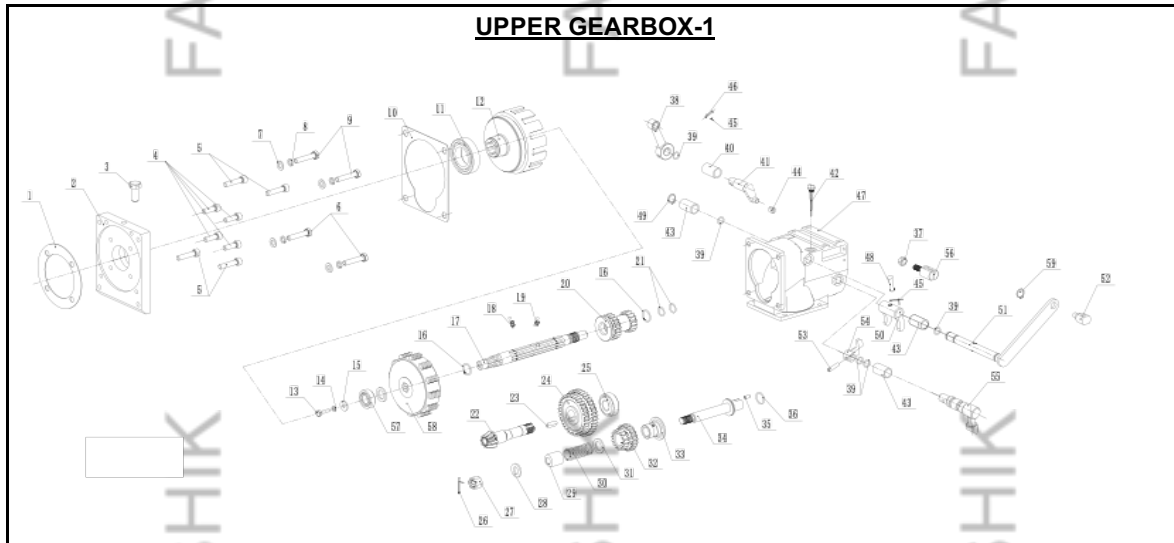


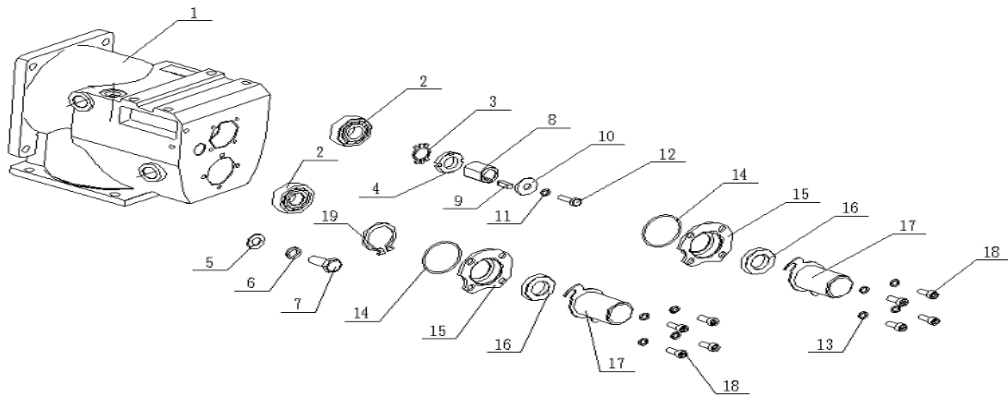
DIESEL ENGINE SPARE PARTS LIST



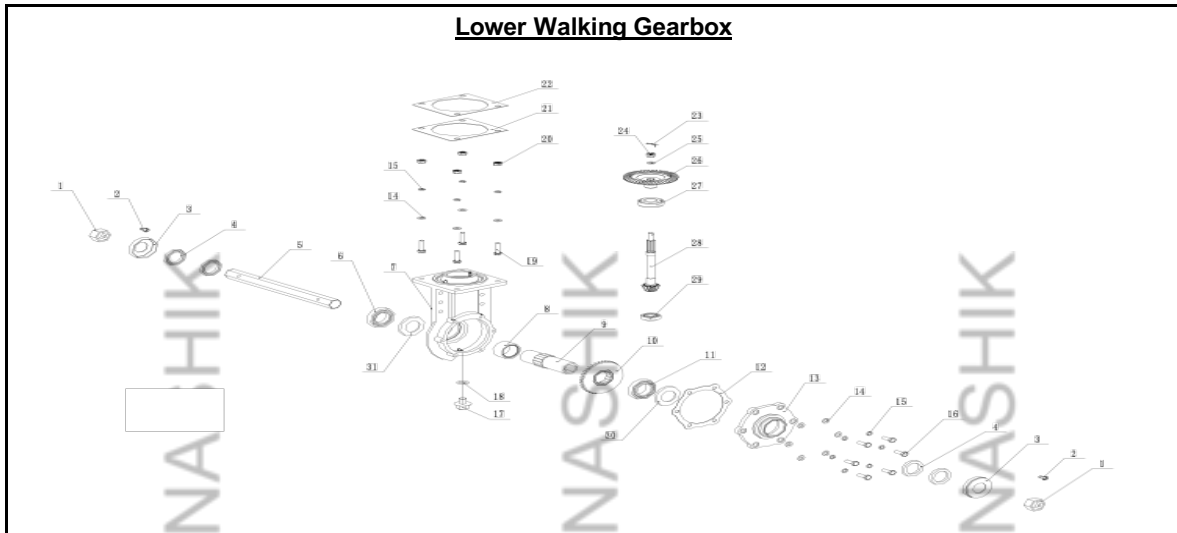
No.	Description	YOUR QUANTITY
1	Gasket for Engine_0.5mm	
2	Flange M7	
3	Exhaust bolt M12 1.20 L=25	
4	Hexagon socket head screw_M8_25_8.8	
10	Gasket for flange_1.0mm	
11	Deep groove ball bearing_6007	
12	Clutch Cover	
25	Deep groove ball bearing_6204	
26	Split pin_φ2.5*25	
27	Hexagon thin slotted nut_M12x1.75	
28	Washer_113*24*1.5	
30	Reverse spring_L=65_8	
31	Washer_φ10*φ22*4	
32	Reverse double gear_Z=20/15	
33	Reverse push	
34	Reverse shaft	
35	Cylindrical pin_5×10	
38	Shifting Rocker	
39	O-ring (φ11.8×2.65)	
40	Bush_16*20*35.5	
41	Shifting Fork Shaft	
42	Dipstick	
43	Bush_16*20*31.5	
15	Big washer_φ8*24*2	
16	Wire retaining ring for shaft_φ25	
17	Spindle	
20	Active double gear_Z=25/14	
21	O-ring_φ16_φ1.9	
22	Main bevel gear I_Z=10	
23	Flat key_20*6*6	
24	Driven double gear_Z=39/40	
44	Shifting Block	
45	Split pin_φ1*20	
46	Pin Roll (6*30)	
47	Upper gearbox with	
48	Pin Roll (6*30)	
49	Circlip (φ16 (14.7*1)	
50	Shifting Fork,Clutch	

No.	Description	YOUR QUANTITY
51	Clutch fork shaft	
52	Line seat for Clutch	
54	Reverse Gear Shifting Fork	
55	Reverse Gear Shifting Shaft	
56	Line seat for reverse	
57	Deep groove ball bearing_6202	
58	Clutch core	

UPPER GEARBOX-2

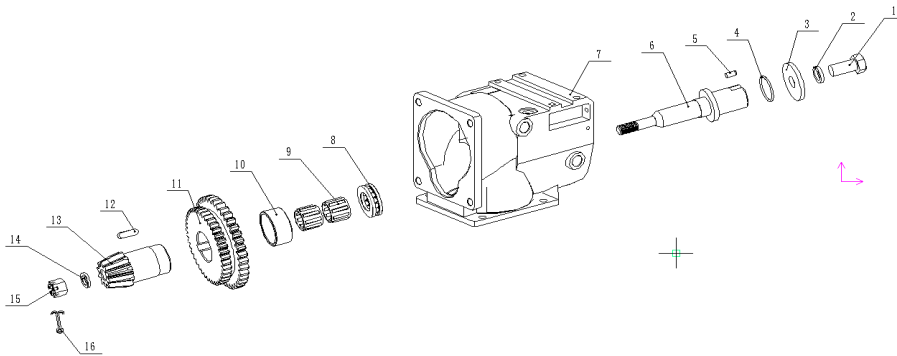


No.	Description	YOUR QUANTITY
3	Stop washers for round nuts_d=20	
4	Small round nut_M20×1.5	
14	O-ring_Φ45 Φ1.8	
15	Spindle end cover	
16	Skeleton oil seal_25*40*7	
17	Spindle dust cover	



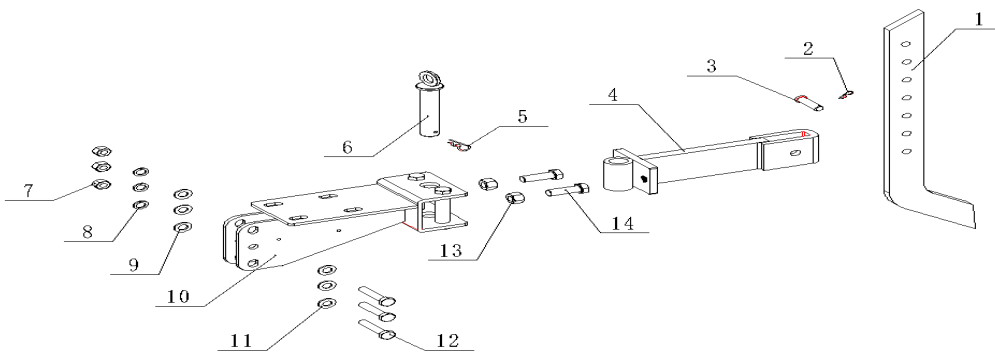
No.	Description	YOUR QUANTITY
1	Six party fixed sleeve	
2	Hexagon head bolts-full thread_M8_16_8.8	
3	Cover	
4	Skeleton oil seal_45*62*8	
5	Hexagonal output shaft_L=395	
6	Hexagonal output shaft_L=410	
7	Deep groove ball bearing_6009	
8	Lower walking gearbox	
9	Bush_45.5*59*33.5	
10	Inner Hexagonal Bushing	
11	From Bevel Gear II_Z=36	
12	Tapered Roller Bearings_32009	
13	Gasket for cover_0.5mm	
16	End Coerv	
17	Hexagon head bolts-full thread_M10_30_8.8	
18	Oil drain bolt_M12_1.25_12	
21/22	O-ring_Φ10_Φ2.65	
24	Gasket for gearbox_0.5mm	
26	Hexagon thin slotted nut_M12x1.75	
27	Driven bevel pinion I_Z=43	
28	Tapered Roller Bearings_30206	
29	Driving bevel pinion II_Z=10	
30	Tapered Roller Bearings_30204	

Transmission Box Parts

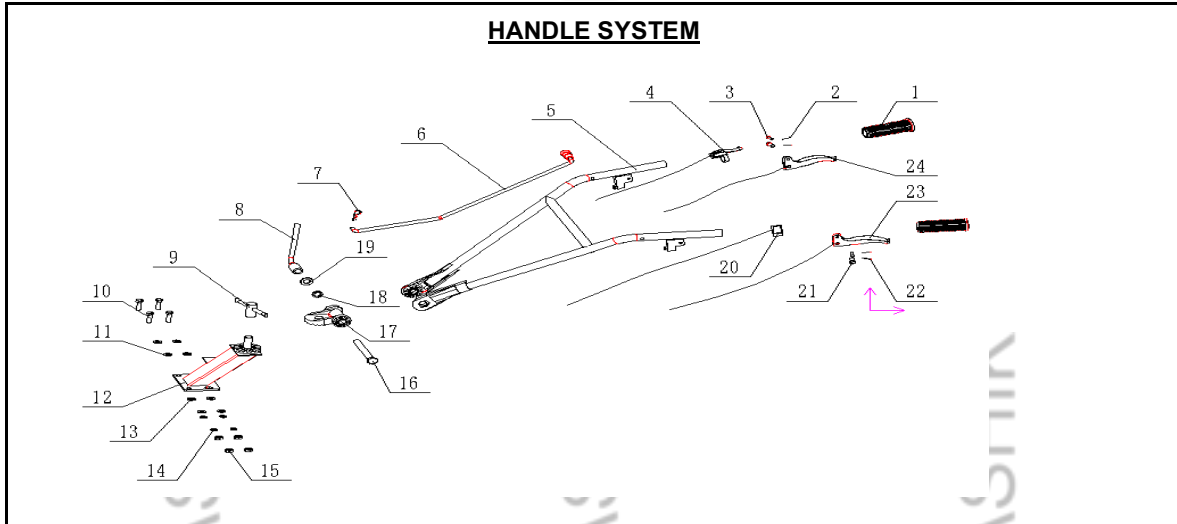


No.	Description	YOUR QUANTITY
6	Countershaft	
8	Thrust ball bearing_51104	
9	Needle bearing_K182420	
10	Bush_32*38*17	
11	Driven double gear_Z=39/40	
12	Flat key_20*6*6	
13	Main bevel gear I_Z=10	
15	Slotted Nuts_M10	

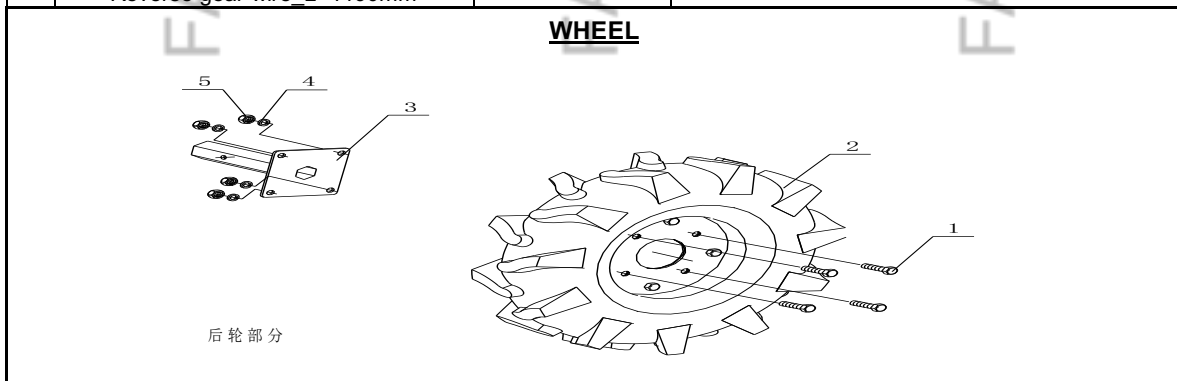
Connector



No.	Description	YOUR QUANTITY
1	Resistance bar	
2	R pin_2*38	
3	Pin shaft_10*40 B type	
4	Connector rod	
5	R pin_3*60	
6	Pin shaft for connector_φ19*110	
10	Connector	

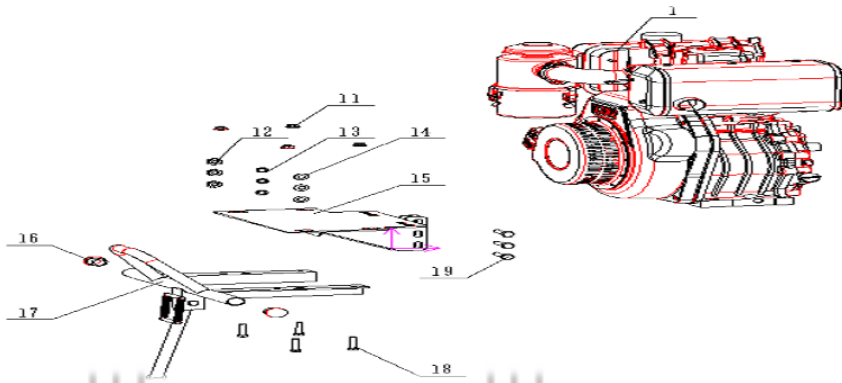


No.	Description	YOUR QUANTITY
1	Handle Grip	
3	Bolt 5x35	
4	Throttle Cable Comp	
5	Handle bar assy	
8	High And Low Lock Comp	
9	T Figure Lock Comp, SpringWasher 20	
12	Handle Seat Comp	
17	Handle joint	
20	Emergency stop trip wire L=1550mm	
21	Pin shaft 10*22 B type	
22	Split pin φ1*20	
23	Clutch handle for emergency stop	
	Clutch wire	
24	Clutch handle for reverse	
	Reverse gear wire L=1190mm	



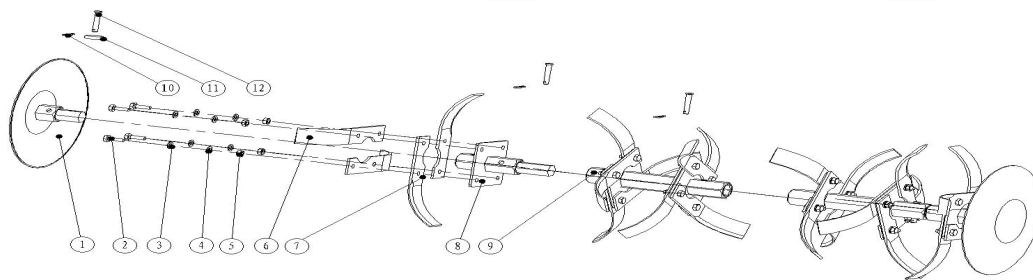
No.	Description	YOUR QUANTITY
2	Herringbone tire assembly left	
	Herringbone tire assembly right	
3	Wheel Shaft	

ENGINE FRAME



No.	Description	YOUR QUANTITY
15	Engine support frame	
17	Protect frame	

BLADE SYSTEM



No.	Description	YOUR QUANTITY
8+9	3+1+1Blades shaft(one side)	
10	R pin_2*38	
12	Pin shaft_8*40 B Type	